

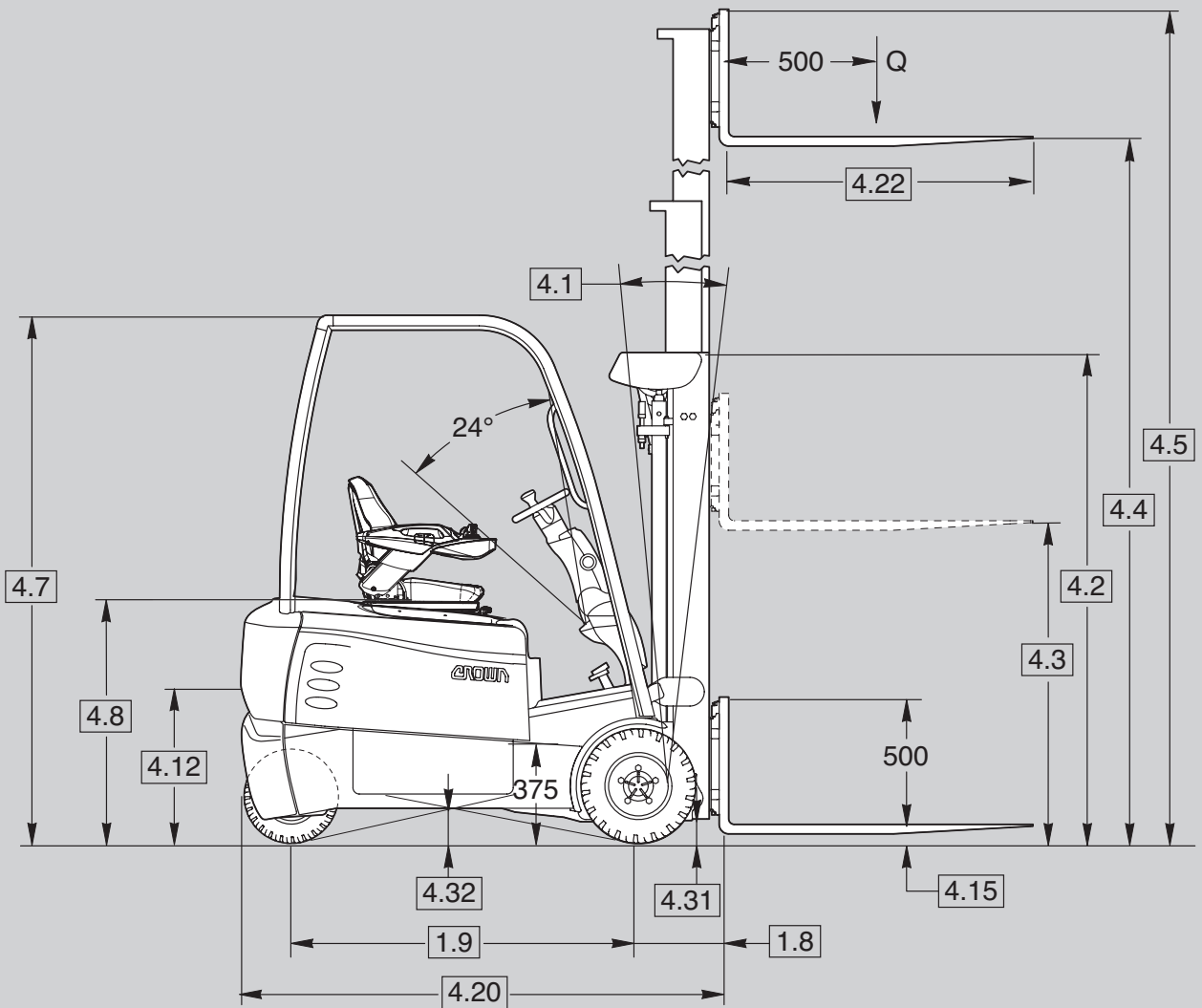
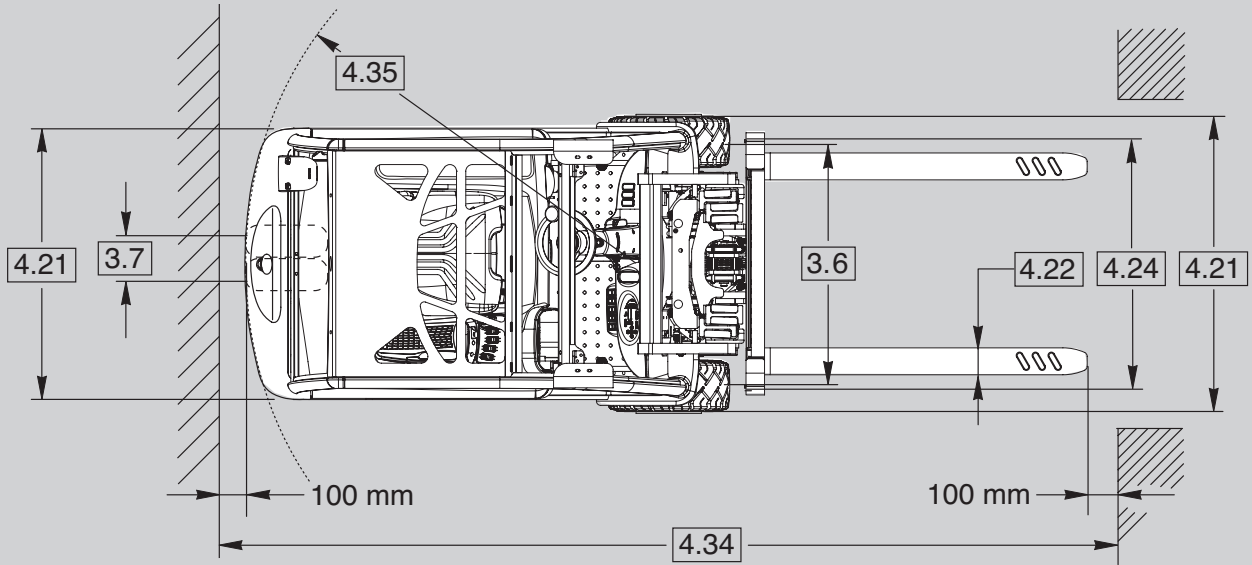
CROWN

SC 6200 SERIES

Specifications

Electric Counterbalance
Lift Truck 48 V
(Three-Wheel / Four-Wheel)

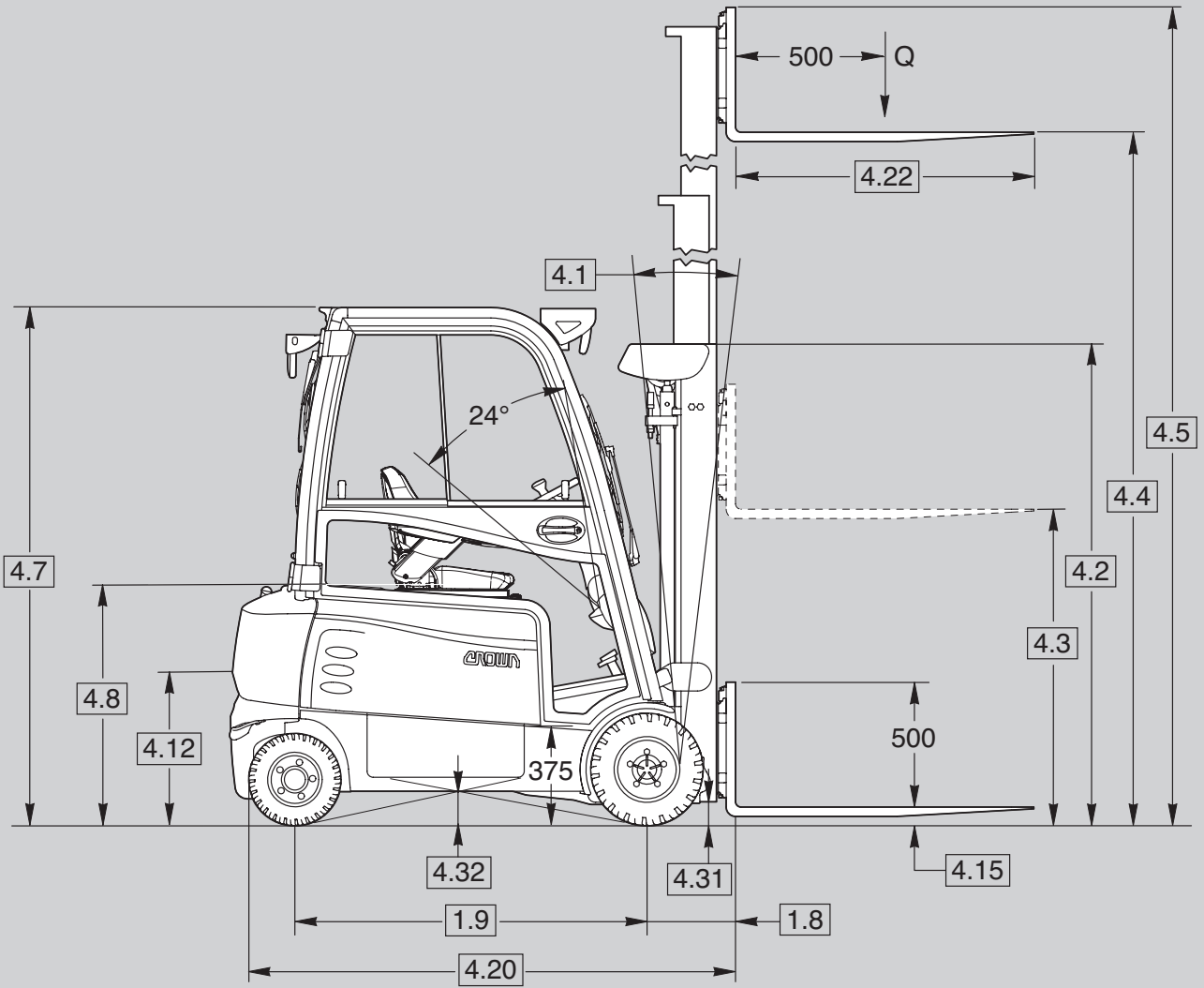
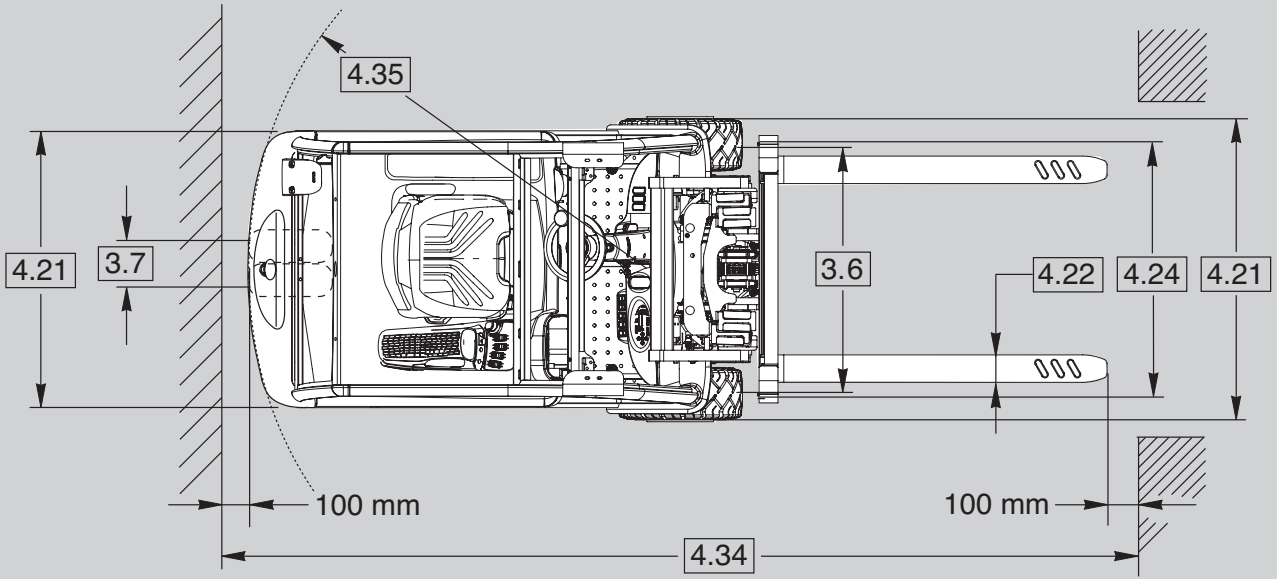




Distinguishing Mark	1.1	Manufacturer	Crown Equipment Corporation										
	1.2	Model			SCT 6210	SCT 6220	SCT 6220	SCT 6240	SCT 6240	SCT 6260	SCT 6260		
					1.3	1.3	1.6	1.6	1.8	1.8	2.0		
	1.3	Power Source	Electric										
	1.4	Operator Type	Sit-down										
	1.5	Rated Capacity	Q	t	1.3	1.3	1.6	1.6	1.8	1.8	2.0		
	1.6	Load Centre	c	mm	500								
	1.8	Load Distance	x	mm	316*				349*				
	1.9	Wheelbase	y	mm	1175	1285		1390		1500			
Weight	2.1	Service Weight	Less battery		kg	2420	2528	2528	2602	2621	2699	2699	
	2.2	Axle Load	With load, front / rear		kg	3518/734	3548/953	4039/762	4074/941	4549/685	4576/884	4891/769	
	2.3	Axle Load	Without load, front / rear		kg	1314/1638	1421/1780	1421/1780	1535/1880	1628/1805	1735/1926	1735/1926	
Tyres/Wheels/Chassis	3.1	Tyres	Super Elastic / SE										
	3.2	Tyre Size	Front	mm	18x7-8				200/50-10				
	3.3	Tyre Size	Rear	mm	140 / 55 - 9								
	3.5	Wheels	Number front/rear (x=driven wheels)				2x / 2						
	3.6	Tread	Front	b10	mm	920							
	3.7	Tread	Rear	b11	mm	180							
	Dimensions	4.1	Mast Tilt, Fork Carriage	Forward/backward	a / B	°	see table 1				see table 2		
4.2		Mast Collapsed Height		h1	mm	see table 1				see table 2			
4.3		Free-lift		h2	mm	see table 1				see table 2			
4.4		Lift Height		h3	mm	see table 1				see table 2			
4.5		Mast Extended Height		h4	mm	see table 1				see table 2			
4.7		Overhead Guard Height	Standard / optional lower	h6	mm	2105 / 1990							
4.8		Seat Height relating to SIP/Stand Height		h7	mm	1078							
4.12		Coupler Height		h10	mm	520							
4.15		Fork Height		h13	mm	45							
4.20		Head Length *		l2	mm	1696	1804	1804	1912	1943	2053	2053	
4.21		Overall Width		b1	mm	1070				1130			
4.22		Fork Dimensions	DIN ISO 2331	s x e	mm	38 x 100				45 x 100			
				l		990 / 760, 915, 1065, 1145, 1220, 1370, 1525							
4.23		Fork Carriage ISO 2328, Class/Type A, B		b5	mm	2 A							
4.24		Fork Carriage Width	With/without load backrest	b3	mm	990 / 965							
4.31		Ground Clearance	With load below mast	m1	mm	75							
4.32		Ground Clearance	Centre wheelbase	m2	mm	105							
4.34	Aisle Width predetermined Load Dimensions		Ast	mm	see table 3								
4.35	Turning Radius		Wa	mm	1390	1495		1595		1705			
Performance Data	5.1	Travel Speed	With load / without load		km/h	16 / 16 **							
	5.2	Lift Speed	With load / without load		m/s	0.55/0.56				0.52/0.56		0.49/0.56	
	5.3	Lowering Speed	With load / without load		m/s	0.51 / 0.46							
	5.5	Drawbar Pull	With load / without load		N	2336/2591	2284/2539	2225/2539	2180/2494	2137/2490	2090/2443	2050/2443	
	5.6	Max. Drawbar Pull	With load		N	12635	12584	12525	12480	12437	12389	12350	
			Without load		N	12890	12839	12839	12794	12790	12742	12742	
	5.7	Gradeability	With / without load, 60 min. rating		%	11.5/17.4	10.8/15.8	10.0/15.8	9.4/14.6	9.0/14.5	8.5/13.5	8.1/13.5	
	5.8	Max. Gradeability	With load / without load		%	30.6/46.8	28.6/42.3	26.6/42.3	25.3/39.0	24.1/38.7	22.9/35.8	22.0/35.8	
	5.9	Acceleration Time	With load / without load		s	4.4 / 3.8	4.5 / 3.9	4.5 / 3.9	4.6 / 4.0	4.6 / 4.0	4.7 / 4.1	4.7 / 4.1	
	5.10	Service Brake	Service			Regenerative Electric Motor Brake							
Park				Spring Applied and Electrically Released									
Electric Motor	6.1	Traction Motor	Rating at S2 60 min.		kW	2 x 5.5							
	6.2	Pump Motor	Rating at S3 15%		kW	11.2							
	6.3	Max. Battery Box Size	DIN43531	l	mm	414	522		630		738		
			Layout A	w x h	mm	830 x 627							
	6.4	Battery Voltage	Voltage		V	48							
Min./max.			Ah	330-360	440-480		550-625		660-750				
6.5	Battery Weight	Min./max.		kg	532/588	673/743		814/899		962/1064			
10.1	Available Working Pressure for Attachments			bar	175								
10.2	Oil Volume for Attachments			l/min	30.3								

* Add 36 mm for Crown integrated sidershifter, add 59 mm for Cascade hook-on sidershifter or fork positioner, add 79.5 mm for Rightline hook-on fork positioner

** Travel speed reduction applicable to trucks with lift height above 2260 mm collapsed height



Shown with cab option

Distinguishing Mark	1.1	Manufacturer	Crown Equipment Corporation						
	1.2	Model			SCF 6240	SCF 6240	SCF 6260	SCF 6260	
					1.6	1.8	1.8	2.0	
	1.3	Power Source	Electric			Battery			
	1.4	Operator Type				Sit-down			
	1.5	Rated Capacity		Q	t	1.6	1.8	1.8	2.0
	1.6	Load Centre		c	mm	500			
	1.8	Load Distance		x	mm	316*	349*		
	1.9	Wheelbase		y	mm	1440		1545	
Weight	2.1	Service Weight	Less battery		kg	2570	2743	2767	2767
	2.2	Axle Load	With load, front / rear		kg	3998/985	4546/810	4571/958	4883/846
	2.3	Axle Load	Without load, front / rear		kg	1491/1892	1663/1893	1763/1966	1763/1966
Tyres/Wheels/Chassis	3.1	Tyres				Super Elastic / SE			
	3.2	Tyre Size	Front		mm	18x7-8	200/50-10		
	3.3	Tyre Size	Rear		mm	140 / 55 - 9			
	3.5	Wheels	Number front/rear (x=driven wheels)			2x / 2			
	3.6	Tread	Front	b10	mm	920			
	3.7	Tread	Rear	b11	mm	890			
	Dimensions	4.1	Mast Tilt, Fork Carriage	Forward/backward	a / β	°	see table 1	see table 2	
4.2		Mast Collapsed Height		h1	mm	see table 1	see table 2		
4.3		Free-lift		h2	mm	see table 1	see table 2		
4.4		Lift Height		h3	mm	see table 1	see table 2		
4.5		Mast Extended Height		h4	mm	see table 1	see table 2		
4.7		Overhead Guard Height	Standard / optional lower	h6	mm	2105 / 1990			
4.8		Seat Height relating to SIP/Stand Height		h7	mm	1078			
4.12		Coupler Height		h10	mm	520			
4.15		Fork Height		h13	mm	45			
4.20		Head Length *		l2	mm	2011	2043	2153	
4.21		Overall Width		b1	mm	1070	1130		
4.22		Fork Dimensions	DIN ISO 2331	s x e	mm	38 x 100	45 x 100		
				l		990 / 760, 915, 1065, 1145, 1220, 1370, 1525			
4.23		Fork Carriage ISO 2328, Class/Type A, B		b5	mm	2 A			
4.24		Fork Carriage Width	With / without load backrest	b3	mm	990 / 965			
4.31		Ground Clearance	With load below mast	m1	mm	75			
4.32		Ground Clearance	Centre wheelbase	m2	mm	105			
4.34	Aisle Width predetermined Load Dimensions		Ast	mm	see table 3				
4.35	Turning Radius		Wa	mm	1710		1820		
Performance Data	5.1	Travel Speed	With load / without load		km/h	16 / 16 **			
	5.2	Lift Speed	With load / without load		m/s	0.55 / 0.56	0.52 / 0.56	0.49 / 0.56	
	5.3	Lowering Speed	With load / without load		m/s	0.51 / 0.46			
	5.5	Drawbar Pull	With load / without load		N	2186 / 2500	2113 / 2466	2109 / 2462	2037 / 2429
	5.6	Max. Drawbar Pull	With load		N	12486	12413	12408	12337
			Without load		N	12800	12766	12761	12729
	5.7	Gradeability	With / without load, 60 min. rating		%	9.5 / 14.8	8.7 / 14.0	8.7 / 13.9	8.0 / 13.2
	5.8	Max. Gradeability	With load / without load		%	25.5 / 39.4	23.5 / 37.2	23.4 / 36.9	21.7 / 35.1
	5.9	Acceleration Time	With load / without load		s	4.5 / 3.9	4.6 / 4.0	4.7 / 4.1	4.7 / 4.1
	5.10	Service Brake	Service			Regenerative Electric Motor Brake			
Park					Spring Applied and Electrically Released				
Electric Motor	6.1	Traction Motor	Rating at S2 60 min.		kW	2 x 5.5			
	6.2	Pump Motor	Rating at S3 15%		kW	11.2			
	6.3	Max. Battery Box Size	DIN43531	l	mm	630		738	
			Layout A	wxh	mm	830 x 627			
	6.4	Battery Voltage	Voltage		V	48			
Min./max.				Ah	550 - 625		660 - 750		
6.5	Battery Weight	Min./max.		kg	814 / 898		962 / 1064		
10.1	Available Working Pressure for Attachments			bar	175				
10.2	Oil Volume for Attachments			l/min	30.3				

* Add 36 mm for Crown integrated sidershifter, add 59 mm for Cascade hook-on sidershifter or fork positioner, add 79.5 mm for Rightline hook-on fork positioner

** Travel speed reduction applicable to trucks with lift height above 2260 mm collapsed height

Table 1 Mast Chart SC 6200 1.3/1.6

					TL Mast									
					SC 6210 SC 6220 SC 6240									SC 6220 SC 6240
4.1	Mast Tilt, Fork Carriage	Forward/backward	a/β	°	5/5*	5/5	5/5	5/3	5/3	5/3	5/3	5/3	5/3	5/3**
4.2	Mast Collapsed Height		h ₁	mm	1955	2105	2260	2410	2540	2665	2840	3035	3225	3350
4.3	Free-lift		h ₂	mm	150	150	150	150	150	150	150	150	150	150
4.4	Lift Height		h ₃	mm	2895	3200	3505	3810	4060	4190	4545	4925	5305	5560
4.5	Mast Extended Height	Without load backrest	h ₄	mm	3455	3755	4065	4365	4625	4755	5105	5495	5875	6125
		With load backrest	h ₄	mm	4140	4440	4750	5050	5310	5440	5790	6180	6560	6810

					TL Short Mast				
					SC 62X0				
4.1	Mast Tilt, Fork Carriage	Forward/backward	a/β	°	5/5				
4.2	Mast Collapsed Height		h ₁	mm	1370	1470	1520	1545	1930
4.3	Free-lift	Without load backrest	h ₂	mm	150				
		With load backrest	h ₂	mm	150				
4.4	Lift Height		h ₃	mm	1725	1930	2030	2080	2840
4.5	Mast Extended Height	Without load backrest	h ₄	mm	2310	2510	2610	2660	3430
		With load backrest	h ₄	mm	2955	3155	3255	3305	4075

					TF Mast					Quad
					SC 6210 SC 6220 SC 6240					SC 6210 SC 6220 SC 6240
4.1	Mast Tilt, Fork Carriage	Forward/backward	a/β	°	5/5	5/5	5/5	5/3	5/3	5/3
4.2	Mast Collapsed Height		h ₁	mm	1955	2105	2260	2410	2540	2105
4.3	Free-lift	Without load backrest	h ₂	mm	1415	1565	1720	1870	2000	1500
		With load backrest	h ₂	mm	735	885	1040	1190	1320	885
4.4	Lift Height		h ₃	mm	2970	3275	3580	3885	4140	6095
4.5	Mast Extended Height	Without load backrest	h ₄	mm	3495	3800	4105	4410	4665	6635
		With load backrest	h ₄	mm	4215	4515	4825	5125	5385	7330

					TT Mast								
					SC 6210 SC 6220 SC 6240							SC 6220 SC 6240	SCF 6240
4.1	Mast Tilt, Fork Carriage	Forward/backward	a/β	°	5/5*	5/5	5/5	5/3	5/3	5/3	5/3	5/3**	5/3
4.2	Mast Collapsed Height		h ₁	mm	1955	2105	2260	2410	2540	2665	2840	3035	3225
4.3	Free-lift	Without load backrest	h ₂	mm	1445	1595	1750	1900	2030	2155	2330	2525	2715
		With load backrest	h ₂	mm	730	880	1035	1185	1315	1440	1615	1810	2000
4.4	Lift Height		h ₃	mm	4365	4825	5280	5740	6120	6400	6930	7490	8075
4.5	Mast Extended Height	Without load backrest	h ₄	mm	4875	5335	5790	6250	6630	6910	7440	8000	8585
		With load backrest	h ₄	mm	5590	6050	6505	6960	7345	7625	8155	8715	9300

* 5/3 With front panel (Windshield)

** Not available in combination with cab options on the SCT only

Table 2 Mast Chart SC 6200 1.8/2.0

				TL Mast							
				SC 6240 SC 6260							SC 6240 SC 6260
4.1	Mast Tilt, Fork Carriage	Forward/backward	a/β °	5/5	5/5	5/5	5/3	5/3	5/3	5/3	5/3
4.2	Mast Collapsed Height		h ₁ mm	1955	2105	2260	2410	2540	2665	2840	3035
4.3	Free-lift		h ₂ mm	150	150	150	150	150	150	150	150
4.4	Lift Height		h ₃ mm	2895	3200	3505	3810	4060	4190	4545	4925
4.5	Mast Extended Height	Without load backrest	h ₄ mm	3480	3785	4090	4395	4650	4780	5135	5520
		With load backrest	h ₄ mm	4125	4425	4735	5035	5295	5425	5775	6165

				TL Short Mast				
				SC 62X0				
4.1	Mast Tilt, Fork Carriage	Forward/backward	a/β °	5/5				
4.2	Mast Collapsed Height		h ₁ mm	1370	1470	1520	1545	1930
4.3	Free-lift	Without load backrest	h ₂ mm	150				
		With load backrest	h ₂ mm	150				
4.4	Lift Height		h ₃ mm	1725	1930	2030	2080	2840
4.5	Mast Extended Height	Without load backrest	h ₄ mm	2310	2510	2610	2660	3430
		With load backrest	h ₄ mm	2955	3155	3255	3305	4075

				TF Mast					Quad
				SC 6240 SC 6260					SC 6240 SC 6260
4.1	Mast Tilt, Fork Carriage	Forward/backward	a/β °	5/5	5/5	5/5	5/3	5/3	5/3*
4.2	Mast Collapsed Height		h ₁ mm	1955	2105	2260	2410	2540	2105
4.3	Free-lift	Without load backrest	h ₂ mm	1400	1550	1705	1855	1985	1500
		With load backrest	h ₂ mm	735	885	1040	1190	1320	885
4.4	Lift Height		h ₃ mm	2970	3275	3580	3885	4140	6095
4.5	Mast Extended Height	Without load backrest	h ₄ mm	3495	3800	4105	4410	4665	6635
		With load backrest	h ₄ mm	4215	4515	4825	5125	5385	7330

				TT Mast							
				SC 6240 SC 6260							SC 6240 SC 6260
4.1	Mast Tilt, Fork Carriage	Forward/backward	a/β °	5/5*	5/5	5/5	5/3	5/3	5/3	5/3	5/3
4.2	Mast Collapsed Height		h ₁ mm	1955	2105	2260	2410	2540	2665	2840	3035
4.3	Free-lift	Without load backrest	h ₂ mm	1445	1595	1750	1900	2030	2155	2330	2525
		With load backrest	h ₂ mm	735	885	1040	1190	1320	1445	1620	1815
4.4	Lift Height		h ₃ mm	4365	4825	5280	5740	6120	6400	6930	7490
4.5	Mast Extended Height	Without load backrest	h ₄ mm	4885	5335	5800	6250	6640	6925	7450	8025
		With load backrest	h ₄ mm	5600	6050	6515	6965	7345	7625	8155	8715

* Not available on SCT 6260-2.0, SCF 6260-2.0

Table 3 Aisle Width

	1.9	1.8	4.35	Pallets	4.34		
	Wheelbase	Load Distance	Turning Radius		Aisle Width predetermined Load Dimensions		
	Y	X	Wa	Length x Width	Without sideshifter	Integrated sideshifter	With hook-on sideshifter
SCT 6210 1.3	1174	-	1390	800 x 1200	2857	2889	2909
		316		1200 x 800	3158	3193	3215
		352,2		1000 x 1200	3036	3069	3090
		375		1200 x 1000	3186	3221	3242
SCT 6220 1.3 SCT 6220 1.6	1282	-	1495	800 x 1200	2960	2992	3012
		316		1200 x 800	3261	3296	3318
		352,2		1000 x 1200	3139	3172	3193
		375		1200 x 1000	3289	3324	3345
SCT 6240 1.6	1390	-	1595	800 x 1200	3064	3096	3116
		316		1200 x 800	3365	3400	3422
		352,2		1000 x 1200	3243	3276	3297
		375		1200 x 1000	3393	3428	3449
SCT 6240 1.8	1390	-	1595	800 x 1200	3093	3125	3146
		349		1200 x 800	3397	3432	3454
		385,2		1000 x 1200	3273	3307	3328
		408		1200 x 1000	3425	3459	3481
SCT 6260 1.8 SCT 6260 2.0	1498	-	1705	800 x 1200	3200	3232	3253
		349		1200 x 800	3504	3539	3561
		385,2		1000 x 1200	3380	3414	3435
		408		1200 x 1000	3532	3566	3588
SCF 6240 1.6	1439	-	1710	800 x 1200	3176	3208	3228
		316		1200 x 800	3477	3512	3534
		352,2		1000 x 1200	3355	3388	3409
		375		1200 x 1000	3505	3540	3561
SCF 6240 1.8	1439	-	1710	800 x 1200	3205	3237	3258
		349		1200 x 800	3509	3544	3566
		385,2		1000 x 1200	3385	3419	3440
		408		1200 x 1000	3537	3571	3593
SCF 6260 1.8 SCF 6260 2.0	1547	-	1820	800 x 1200	3312	3344	3365
		349		1200 x 800	3616	3651	3673
		385,2		1000 x 1200	3492	3526	3547
		408		1200 x 1000	3644	3678	3700

Standard Equipment

1. Crown's Access 1 2 3® Comprehensive System Control
2. InfoPoint™ System
3. Crown-manufactured AC drive and AC lift motors
4. e-GEN® Braking System with automatic parking brake
5. Adjustable D4 armrest, forward/backward with
 - Fingertip control levers
6. Thumb-operated travel direction switch, integrated in the armrest
7. Intrinsic Stability System
 - Travel speed reduction and appropriate electronic brake control when forks are above free-lift
 - Forward tilt interlock reduces forward tilt above free-lift to maximise stability
 - Controlled tilt speeds
 - Counterweight exceeds required standards
 - Speed reduction in turns
 - Ramp hold
 - Ramp speed control
8. Operator design features
 - 375 mm step height
 - Wide, spacious floorboard
 - Non-slip rubber floor mat
 - Automotive type rubber-covered accelerator pedal and brake pedal
 - Automatic parking brake (seat activated)
 - Entry/exit to both sides
 - Rounded edges on battery cover for easy entry/exit
 - Comfort vinyl suspension safety seat MSG 65 with hip restraint
 - High-visibility orange anti-cinch seat belt
 - Magnetic orange storage tray on seat deck
 - Compact steering column and small steering wheel
 - Spinner knob with grips
 - Adjustable tilt steering control
 - Clear-view design for enhanced visibility
 - Low dashboard for fork and floor visibility
9. Crown display
 - Battery discharge indicator with lift interrupt and re-key feature
 - Hour meter / travel distance / stopwatch
 - User code access capable
 - Access 1 2 3 diagnostics
 - P1, P2, P3 Performance tuning

10. 48 volt system
11. SBE 320 blue battery connector
12. DIN 43531 battery compartment sizes
 - Side extraction battery access
 - Battery retainer switch inhibits travel when battery is not securely locked
13. Two 15" Super Elastic steer tyres
14. Large 18" Super Elastic drive tyres
15. SIT Tyres, one piece rim without taper, rim flange or locking ring
16. On-demand power steering
17. Cab-ready overhead guard design
18. 2105 mm overhead guard height
19. Floor boards can be lifted out without tools for service access
20. High-visibility mast with in-line hose routing
21. Smooth lift and lower transition through mast staging
22. O-ring sealed hydraulic fittings
23. Tilting mast
24. Tow pin
25. Entry/exit grab handle
26. Corrosion package

Optional Equipment

1. TL, TF, TT and Quad mast styles
2. Choice of hydraulic control levers
 - Adjustable Crown D4 Armrest with:
 - Dual-lever hydraulic control
 - Mini-lever hydraulic control
 - Combination of dual and mini-lever control
 - Manual levers, urethane-covered offset positioned control handles with tactile feedback
3. Directional controls
 - Dual pedal
 - Foot-operated directional control
 - Lever in Crown D4 Armrest (only available for mini, dual or combination hydraulic controls)
 - Lever integrated in steer column, left or right side
 - Switch integrated in manual hydraulic lift lever

4. Battery rollers for side extraction
5. Hinged and lockable battery door
6. Battery Transfer System for fast and safe battery exchange
7. DIN A 160 or DIN A 320 Battery Connector
8. Tilt Position Assist
 - Mast tilt stops in vertical position
9. Auxiliary mast hydraulics
 - single function
 - double function, with 4-spool valve and accessory plumbing
10. Single or double quick disconnect hydraulic connectors
11. Hook-on or integrated sideshifter
12. Hook-on fork positioner
13. Various load backrest heights
14. Various fork lengths
15. Choice of tyres
 - Non-marking Super Elastic tyres
 - Lugged cushion tyres (SCT 6200 only)
16. Rear mud flaps for SCF 6200
17. Suspension seat fabric
18. Freezer conditioning
19. Low overhead guard, 1990 mm high
20. Drive-in rack overhead guard
21. Polycarbonate roof panel
22. Light packages
 - Interior dome light
 - Work lights
 - Strobe lights
 - Integrated brake, tail and back-up light
 - LED travel light package
 - o Headlights
 - o Dipped / low beam
 - o Turn / indicator lights
 - o Hazard flashing lights
 - o Tail lights at lower rear
23. InfoLink® Ready
24. 48 Volt accessory cable
25. Audible travel alarm
26. Floor spotlight, blue or red
27. Sunshade
28. Rear-view mirror
29. Work Assist™ Accessories
 - Clip pad and hook
 - Clamp
 - Clamp and mounting plate
 - Various storage pockets
 - Storage bin (magnetic mount)
30. 5th Function
31. Quick Charge Options
32. Crown V-Force® Lithium Ready
33. Top panel wire mesh

Cab Features

1. Partial Cab
 - Front screen with tempered glass, wiper and washer
 - Top screen with laminated safety glass
 - Cab height as on standard overhead guard height
 - Rear screen with tempered glass, defrost with 15 minute auto off timer, wiper and washer, gas spring assist, 2-stage tilting window
2. Soft Cab
 - Full cab with soft doors
 - PVC zipper type roll-up doors with large windows
3. Full Cab
 - Cab with hard doors and automotive-class comfort. Removable hard doors with gas spring and door locks, two-way sliding windows on both sides, side windows with tempered glass
4. Heater for full cabs
 - Lower right side mounted cab heater with temperature control and 2-speed fan
 - Five adjustable outlets: foot, operator, defrost

Driveability

The SC 6200 Series incorporates numerous design features to improve operator comfort and productivity.

On-demand power steering is served by the main hydraulic pump when steering is requested. The steering system with double-acting cylinder provides an equally responsive steering rate both ways.

A large step positioned at a low height of only 375 mm aids entry/exit on both sides of the truck. The narrow, offset tilt steer column and steer wheel further facilitate entry/exit. Floorboards are wide, spacious and rubber-covered to insulate the operator from vibration. Brake and accelerator pedals are rubber-covered to provide good grip and comfort.

Several design features contribute to better all-around visibility everywhere you look. A low dashboard for fork visibility, a slim overhead guard with an unobstructed upper window for load handling at height, a high-visibility mast and a compact steer column all improve operator visibility.

Hydraulic controls allow easy blending of up to 4 hydraulic functions. Fingertip controls are integrated into the adjustable armrest. Dual-Axis controls are recommended when operators wear gloves. The manual levers are urethane-covered with tactile feedback for comfort and easy selection. Control actuation forces are minimal and responsive.

Crown Drive System

Crown has applied the latest generation AC drive system, enhanced with Access 1 2 3 technology. The demand for high efficiency systems that closely match customer torque requirements is met with this latest generation control system. Crown-manufactured, independently controlled AC drive motors are specifically designed to optimise system integration between the traction and braking controls.

Crown's Access 1 2 3 technology provides optimum performance and control by offering a communication interface for operators and technicians, intelligent coordination of lift truck system and simplified service with advanced diagnostics.

The Crown display can be used for easy troubleshooting, to access the service history and to set performance features.

Three modes of performance can be selected to accommodate operator experience or application requirements.

e-GEN® Braking System

The variable regenerative motor braking is optimised and assisted with electric friction brakes, eliminating the maintenance typically associated with wet, disk or drum style brakes. The appropriate amount of stopping force is applied to match the operator's brake input and the current operating conditions of the truck.

The closed loop Access 1 2 3 traction control will automatically keep the truck on hold until a travel input is requested, even when operating on a ramp.

Automatic electric parking brakes activate when the operator leaves the seat, a travel input has not been requested or battery power has been disconnected.

Three-wheel Truck with Proportional Rack and Pinion Steering System

The hydrostatic power steering uses a large, totally enclosed rack and pinion gear assembly. The debris guard prevent stretchfoils and other materials from being picked up and wrapped around the axle.

Four-wheel Truck

The rugged axle frame, forged spindle and connecting links eliminate the need for adjustment. A two-piece spindle and king pin with tapered roller bearings improves life and serviceability. Spherical bearings with straight pins in the connecting links eliminate any play in the linkage. All bearing locations are sealed to exclude contaminants and are equipped with lubrication fittings for ease of service.

The steering geometry is matched to the controller to deliver smooth steering at all angles. This results in less tyre scrubbing to extend tyre life. Both motors receive power, even in the tightest turns. This helps the truck to accelerate, turn and manoeuvre even from a full-turn start position. Speed reduction in turns regulates the drive motor's output by the turning degree of the truck. The advantage is smooth, stable steering which may increase operator confidence and productivity.

Hydraulics

The low-noise hydraulic pump serves both lift and steer systems. The hydraulic system provides continuous filtration through both the suction filter and the easy to service return filter.

Hydraulic actuation is precise and oil is controlled using metered spool valves. Lift/lower, tilt and an auxiliary function are standard and feature an integrated pressure relief valve for system protection. A pressure compensation lowering valve ensures safe controlled lowering speeds.

Ram displacement type lift cylinders and two double-acting tilt cylinders are Crown-manufactured and designed for long life. All rams and piston rods are hard chrome plated to reduce pitting corrosion and extend cylinder packing life. O-ring face seal fittings are used to eliminate leaks.

Mast Assembly

The Crown-manufactured three-stage mast assembly utilises a "flush-face" interlocked I-beam design to improve visibility and reduce truck length. Roller bearing studs are welded on both sides of the rails for maximum strength and roller bearings are canted to run in the thick cross section of the rail. High-strength steel mast sections with sealed-for-life rollers are constructed for low mast deflection and high rigidity.

Tie bars wrap around the rails for added strength and to resist off-centre load forces.

"In-line" hose routing opens up visibility. Cylinders are placed behind the rails to create a high-visibility design. The mast has four points of attachment to the truck for good load force distribution. Two mounting points are at the frame, where tilt cylinders attach. Tilt cylinders use spherical bushings to resist off-centre load distortions.

Two large diameter axles secure the mast to the drive units.

The Crown manufactured mast offers quiet lift transition through staging while lifting and lowering. Ante-rattle devices reduce mast noise when traveling on uneven surfaces.

The following mast types are available:

- The TL mast offers maximum visibility through the mast by eliminating the inner free-lift cylinder.
- The TF mast offers widest visibility window with full free-lift capability.
- The TT mast offers maximum flexibility with full free-lift capability.
- The Quad mast offers maximum lift height at lowest collapsed height.

Drive Units

Two independent drive units are manufactured by Crown. The heavy-duty drive unit gears are constantly lubricated in an oil bath. This time-proven design is quiet and reliable, providing years of trouble-free service.

Carriage

An FEM / ISO / ITA Class II carriage is standard.

Fork spread is adjustable between 314 – 914 mm.

There is a choice of a Crown-manufactured integrated sideshifter or hook-on ISO type sideshifter. Other attachments such as a fork positioner are easy to add.

Crown manufactured forged high strength steel forks with fork tip indicators are available in various lengths.

Battery Access

The seat deck with latch can be easily lifted for excellent battery access. Seat deck is supported by gas struts and stays vertically. A lift out battery door is standard. A battery retainer switch prevents unintentional operation, when the battery door is not properly closed. A hinged battery door is an option. Crown V-Force Lithium Ready option comes with full side cover with an access cutout for lateral charging.

Battery Transfer System

The Battery Transfer System is optionally available. This unique, manually-powered system allows a fast and safe battery exchange within minutes for extended operating hours and continuous truck operation.

Safety Regulations

Conforms to European safety standards.

Dimensions and performance data given may vary due to manufacturing tolerances. Performance is based on an average size vehicle and is affected by weight, truck condition, truck equipment and the conditions of the operating area. Crown products and specifications are subject to change without notice.